



H Series 420 Ice Cube Machine

H Series 500 Ice Cube Machine

Model: HDT0420A-251ZT HYT0420A-251ZT



H420 Ice Machine on H420C Bin

- Up to 199 kgs (438 lbs) daily ice production and only 56.00" (55.90 cm) wide
- Use R-410A CFC-free refrigerant which lowers global warming potential by 48%
- Easy access front facing evaporator
- All plastic interior, no exposed tubes or wires, smooth rounded corners for fast easy wipe downs
- The food zone is sealed from above and on the back of the door panel with commercial grade rubber gaskets
- Water shield, distribution tube, pump, floats, and trough removable by hand (no tools required). Fast and easy
- Top air discharge, transfers air discharge from the sides of the machine to the top by having the louvered panel on the top of the machine rather than the sides. Re-directs the hot air from the ice machine toward the ceiling rather than directly into the working kitchen environment

Specifications

BTU Per Hour:
5,300 (average), 6,100 (peak)

Compressor:
Nominal Rating: 3/4HP

Refrigerant:
R-410A

Ice Machine Electric
220-240/50/1 standard

Total Circuit Ampacity:

Air Cooled: 6.3A

Power Consumption:

Air Cooled: 1029W

Maximum Fuse Size:15A

HACR-type circuit breakers can be used in place of fuses

Operating Limits:

- Ambient Temperature Range: 1.7°C to 43.3°C
- Water Temperature Range: 1.7°C to 32.2°C
- Water Pressure Ice Maker Water In:
Min. 20 psi (137.9kPA)
Max. 80 psi (551.1kPA)

Cube Size Available



Dice
7/8" X 7/8" X 7/8"
2.22 X 2.22 X 2.22 (cm)

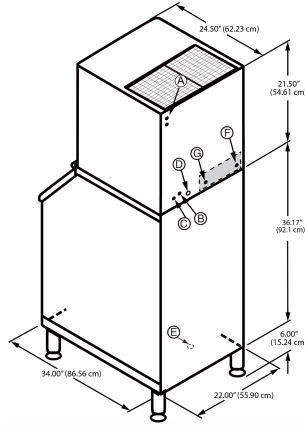


Half-dice
3/8" X 1 1/8" X 7/8"
0.95 x 2.86 x 2.22 (cm)





H420 on H420C Storage Bin



- (A) Electrical Entrance (2) Options
- (B) 3/8" (0.95 cm) F.P.T. Ice Making Water Inlet
- (C) 1/2" (1.27 cm) F.P.T. Ice Making Water Drain
- (D) 1/2" (1.27 cm) Auxillary Base Drain Socket
- (E) 3/4" (1.91 cm) Bin Drain
- (F) 3/8" (0.95 cm) F.P.T. Water Condenser Inlet (water-cooled units)
- (G) 1/2" (1.27 cm) F.P.T. Water Condenser Outlet (water-cooled units)

Installation Note - Minimum installation clearance:
 Sides: 0, Top: 12" (30.5 cm), back: 5" (12.7cm).

Space-Saving Designs



	H420 H420C
Height	63.67" 161.95cm
Width	22.00" 55.90 cm
Depth	34.00" 86.50cm
Bin Storage	265 lbs 120 kgs

Height includes adjustable bin legs 6.00" to 7.00" (15.24 cm to 17.78 cm) set at 6.00" (15.24 cm).

Model	Ice Shape	Ice Production 24 Hours		Power Usage kWh/100 lbs. @90°Air/70°F	Water Usage 100 lbs. 45.4 kgs. of Ice
		70°Air/ 50°F Water	90°Air/ 70°F Water		
HDT0420A-251ZT	dice	175kgs	145kgs	6.10	75.7
		386lbs	320lbs		
HYT0420A-251ZT	half dice	199kgs	168kgs	5.60	75.7
		438lbs	370lbs		

Order ice storage bin separately. Suffix of model "A" means air cooled condenser

Top Air Discharger



Top air discharge, transfers air discharge from the sides of the machine to the top by having the louvered panel on the top of the machine rather than the sides. Re-directs the hot air from the ice machine toward the ceiling rather than directly into the working kitchen environment

Easy Access to Parts of Water System



Water shield, distribution tube, pump, floats, and trough removable by hand

Easy Access to Air Filter



Easy to clean, reusable air filter protects condenser from lint, grease and dust.

©2023 12/29 Manitowoc 09/26 Continuing product improvement may necessitate change of specifications without notice.

Sanitation, Reliable and Affordable

H SERIES HDT0500A



Easy to clean and maintain

Easy to maintain and clean; Getting in and out for fast cleaning and service can save time and money; Access to the food zone is obtained by an easy lift-off door.

Smooth rounded surfaces make it easy to wipe clean; Parts that need cleaning and sanitizing can be removed without the use of tools; The water curtain, float switch, water tray, water diverter, water pump and water distribution tube can easily

removed by hand.

One-touch cleaning; Requires minimal interaction, once in the cleaning mode, just add cleaner or sanitizer and let the ice machine do the rest and return to making ice automatically.

Backed by Manitowoc service network; Never worry about parts availability or finding an authorized service agent, your choice will be well taken care of.



Dice

7/8" x 7/8" x 7/8"
(2.22 x 2.22 x 2.22cm)

H Series Ice Machines (Head Only)

Model	W x D x H (cm)	Gross Weight (kgs)	Ice Cube Shape	Refr	Ice Production 24 Hours (kgs)	Ice Storage Bin	Power (W)
HDT0500A	76 X 62 X 55	64	Dice	R-410A	214	H530C	1029

Approximate ice-making capacity based on air-cooled condenser unit at 70°F/21°C air and 50°F/10°C water. Ice machine and bin ordered separately.

Ice Storage Bin (With Legs)

Model	W x D x H (cm)	Ice Storage Capacity (kgs)	Gross Weight (kgs)
H530C	76 X 86 X 113	210	65



PT Rotaryana Prima
Teuku cik ditiro 16 Jakarta, 10350
call +6221.310.6767 fax +6221.310.2256
<http://www.rotaryana.com/>

Sanitation, Reliable and Affordable

H SERIES HDT0700A



Easy to clean and maintain

Easy to maintain and clean; Getting in and out for fast cleaning and service can save time and money; Access to the food zone is obtained by an easy lift-off door.

Smooth rounded surfaces make it easy to wipe clean; Parts that need cleaning and sanitizing can be removed without the use of tools; The water curtain, float switch, water tray, water diverter, water pump and water distribution tube can easily

removed by hand.

One-touch cleaning; Requires minimal interaction, once in the cleaning mode, just add cleaner or sanitizer and let the ice machine do the rest and return to making ice automatically.

Backed by Manitowoc service network; Never worry about parts availability or finding an authorized service agent, your choice will be well taken care of.



Dice

7/8" x 7/8" x 7/8"
(2.22 x 2.22 x 2.22cm)

H Series Ice Machines (Head Only)

Model	W x D x H (cm)	Gross Weight (kgs)	Ice Cube Shape	Refr	Ice Production 24 Hours (kgs)	Ice Storage Bin	Power (W)
HDT0700A	76 X 62 X 55	73	Dice	R-410A	290	H530C	1121

Approximate ice-making capacity based on air-cooled condenser unit at 70°F/21°C air and 50°F/10°C water. Ice machine and bin ordered separately.

Ice Storage Bin (With Legs)

Model	W x D x H (cm)	Ice Storage Capacity (kgs)	Gross Weight (kgs)
H530C	76 X 86 X 113	210	65



PT Rotaryana Prima
Teuku cik ditiro 16 Jakarta, 10350
call +6221.310.6767 fax +6221.310.2256
<http://www.rotaryana.com/>

Sanitation, Reliable and Affordable

H SERIES HDT1000A



Easy to clean and maintain

Easy to maintain and clean; Getting in and out for fast cleaning and service can save time and money; Access to the food zone is obtained by an easy lift-off door.

Smooth rounded surfaces make it easy to wipe clean; Parts that need cleaning and sanitizing can be removed without the use of tools; The water curtain, float switch, water tray, water diverter, water pump and water distribution tube can easily

removed by hand.

One-touch cleaning; Requires minimal interaction, once in the cleaning mode, just add cleaner or sanitizer and let the ice machine do the rest and return to making ice automatically.

Backed by Manitowoc service network; Never worry about parts availability or finding an authorized service agent, your choice will be well taken care of.



Dice

7/8" x 7/8" x 7/8"
(2.22 x 2.22 x 2.22cm)

H Series Ice Machines (Head Only)

Model	W x D x H (cm)	Gross Weight (kgs)	Ice Cube Shape	Refr	Ice Production 24 Hours (kgs)	Ice Storage Bin	Power (W)
HDT1000A	76 X 62 X 75	94	Dice	R-410A	436	H530C	1980

Approximate ice-making capacity based on air-cooled condenser unit at 70°F/21°C air and 50°F/10°C water. Ice machine and bin ordered separately.

Ice Storage Bin (With Legs)

Model	W x D x H (cm)	Ice Storage Capacity (kgs)	Gross Weight (kgs)
H530C	76 X 86 X 113	210	65



PT Rotaryana Prima
Teuku cik ditiro 16 Jakarta, 10350
call +6221.310.6767 fax +6221.310.2256
<http://www.rotaryana.com/>