

Duke Convection Ovens Single Section - Half Size - Electric 59-E3



59-E3

Standard Features:

- 5 races/9 rack positions per oven
- Porcelain interior finish
- Single hinged door/door glass
- 4" plastic legs

Oven Section:

- Stainless steel front, sides and top
- 1" insulation on bottom, sides and back
- 3" insulation on top

Dim (mm): 762x641x762

Capacity: 32 Shelves

Power: 8 kW

PS: 240 V

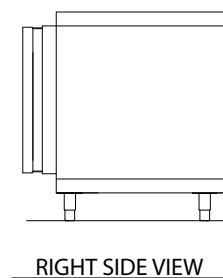
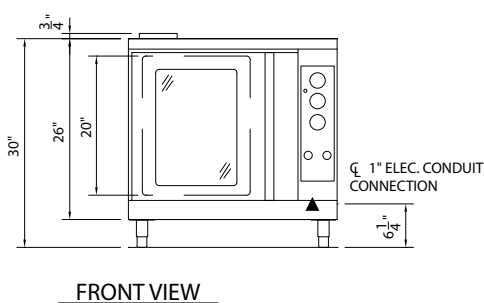
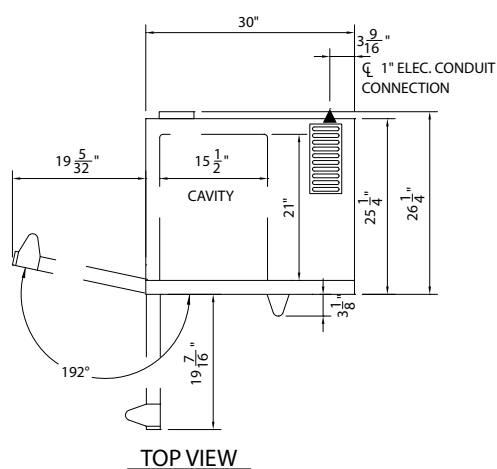
Temp: +93°C

Oven Controls:

- "V" - Basic snap action thermostat (200o - 500oF), 60 minute electric dial timer with continuous sounding buzzer, 2-speed fan
- "XX" - Solid state digital time and temperature controls, 12-hour countdown timer, Cook and Hold feature, 2-speed fan, Pulse fan capability
- "ZZ" - 10 programmable menu buttons, 5-rack ID timers, computerized digital time and temperature controls, Cook and Hold feature, 2-speed fan, Pulse Fan capacity

Options:

- Stainless steel interior
- 4" or 6" stainless legs
- 8", 16", 27" stainless angular legs
- Casters
- Stainless steel open base with rack guides
- Oven racks
- 8' or 11' cord and plug with receptacle
- High voltage (380/415/440/480)
- Pulse Fan option ("XX" & "ZZ" controls only)
- Baking station stand on casters (59-BS)
- Proofer base (PFB-1)
- Extended warranty
- Optional shelf for leg stand



PT Rotaryana Prima

Teuku cik ditiro 16 Jakarta, 10350
call +6221.310.6767 fax +6221.310.2256
customer.service@rotaryana.com

f Rotaryana Prima @ Rotaryana
<http://www.rotaryana.com/>

